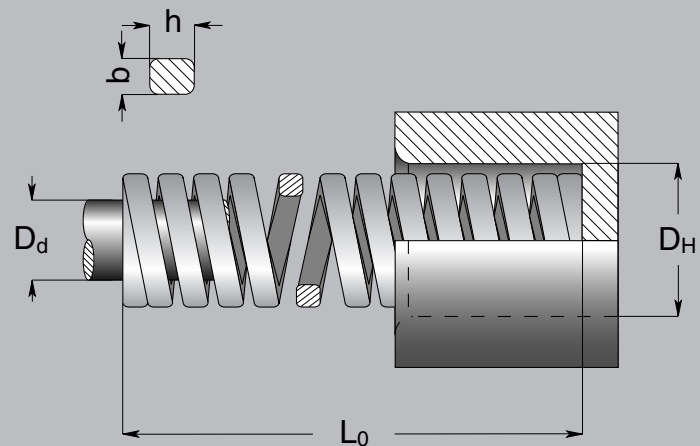


Molle carico ultra-forte
Ultra-heavy load springs
Federn für ultra-hohe belastung
Ressorts charge ultra-forte

Serie
Series
Serie
Série

A



D _H	D _d	L ₀	N. di catalogo Catalogue No. Bestellnummer N° de catalogue	Rigidità Rate Rigidez Raideur	10%		12%		15%		D	
					3.000.000	1.500.000	Max. Defl.		Approx.			
b x h				N / mm	mm	N	mm	N	mm	N	mm	N
mm	mm	mm										
25	12.5	64	A 25 - 064	644	6.4	4122	7.7	4959	9.6	6182	13	8372
		76	A 25 - 076	556	7.6	4226	9.1	5060	11.4	6338	16	8896
		89	A 25 - 089	462	8.9	4112	10.7	4943	13.4	6168	20	9240
		102	A 25 - 102	390	10.2	3978	12.2	4758	15.3	5967	23	8970
		115	A 25 - 115	360	11.5	4140	13.8	4968	17.3	6210	26	9360
		127	A 25 - 127	326	12.7	4140	15.2	4955	19.1	6210	28	9128
		152	A 25 - 152	255	15.2	3876	18.2	4641	22.8	5814	34	8670
		178	A 25 - 178	230	17.8	4094	21.4	4922	26.7	6141	39	8970
		203	A 25 - 203	202	20.3	4101	24.4	4929	30.5	6151	45	9090
5.6 x 7.5		305	A 25 - 305	136	30.5	4148	36.6	4978	45.8	6222	63	8568
32	16	64	A 32 - 064	1077	6.4	6892	7.7	8270	9.6	10337	13	13998
		76	A 32 - 076	874	7.6	6642	9.1	7971	11.4	9964	16	13984
		89	A 32 - 089	721	8.9	6419	11	7702	13.35	9628	20	14424
		102	A 32 - 102	620	10	6324	12	7589	15.3	9486	23	14260
		115	A 32 - 115	560	12	6440	14	7728	17.25	9660	26	14560
		127	A 32 - 127	496	13	6299	15	7559	19.05	9449	28	13888
		152	A 32 - 152	408	15	6202	18	7442	22.8	9302	34	13872
		178	A 32 - 178	353	18	6280	21	7536	26.7	9420	39	13759
		203	A 32 - 203	304	20	6171	24	7405	30.45	9257	45	13680
7.5 x 9.2		254	A 32 - 254	243	25	6177	30	7413	38.1	9266	62	15078
		305	A 32 - 305	196	31	5978	37	7174	45.75	8967	75	14700
40	20	89	A 40 - 089	880	8.9	7832	10.7	9416	13.4	11748	20	17600
		102	A 40 - 102	762	10.2	7772	12.2	9296	15.3	11659	23	17526
		115	A 40 - 115	679	11.5	7809	13.8	9370	17.3	11713	26	17654
		127	A 40 - 127	622	12.7	7899	15.2	9454	19.1	11849	28	17416
		152	A 40 - 152	509	22.8	7737	18.2	9264	22.8	11605	36	18324
		178	A 40 - 178	429	17.8	7636	21.4	9181	26.7	11454	43	18447
		203	A 40 - 203	374	20.3	7592	24.4	9126	30.5	11388	49	18326
		254	A 40 - 254	296	25.4	7518	30.5	9028	38.1	11278	62	18352
		8.5 x 11.0		305	A 40 - 305	246	30.5	7530	36.6	9004	45.8	11255
50	25	89	A 50 - 089	1410	8.9	12549	10.7	15087	13.4	18824	19	26790
		102	A 50 - 102	1215	10.2	12393	12.2	14823	15.3	18590	22	26730
		115	A 50 - 115	1076	11.5	12374	13.8	14849	17.3	18561	25	26900
		127	A 50 - 127	968	12.7	12294	15.2	14714	19.1	18440	28	27104
		152	A 50 - 152	806	15.2	12251	18.2	14669	22.8	18377	34	27404
		178	A 50 - 178	698	17.8	12424	21.4	14937	26.7	18637	40	27920
		203	A 50 - 203	612	20.3	12424	24.4	14933	30.5	18635	45	27540
		254	A 50 - 254	472	25.4	11989	30.5	14396	38.1	17983	58	27376
		11.8 x 13.5		305	A 50 - 305	388	30.5	11834	36.6	14201	45.8	17751

Note: 1 N = 0,102 Kg (force)